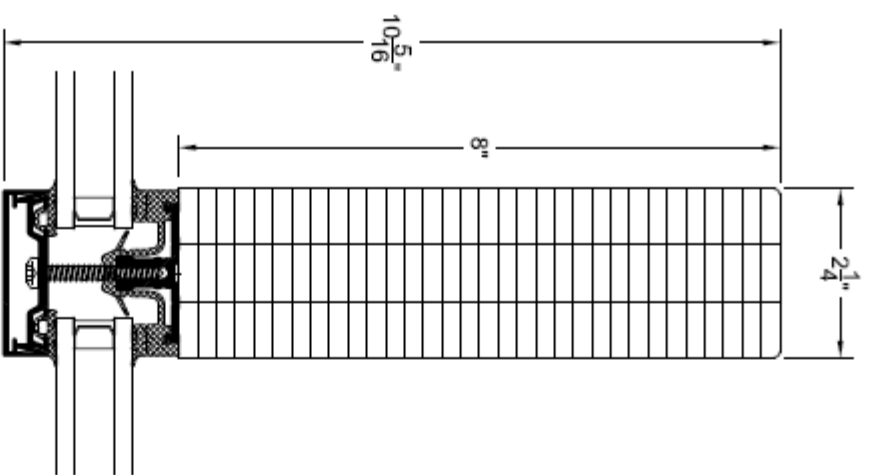
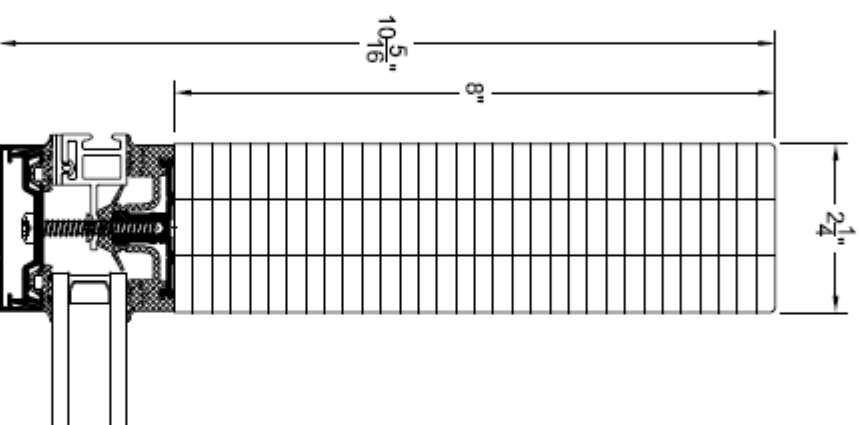


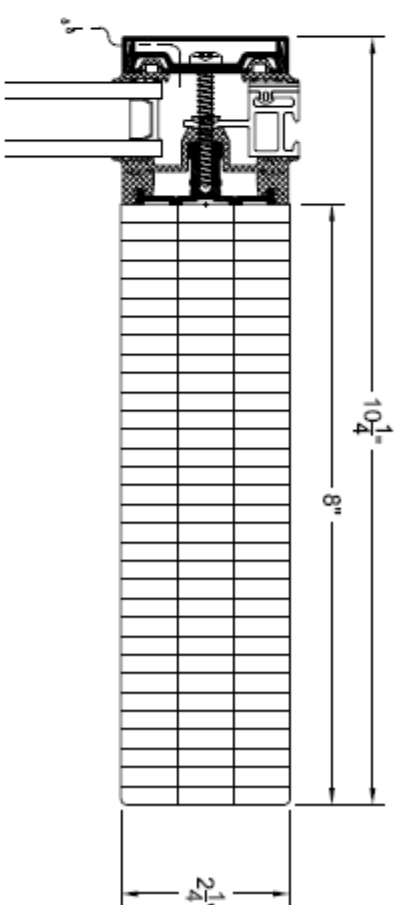
NOTE:
Curtainwall depth varies depending on structural loads and spans.



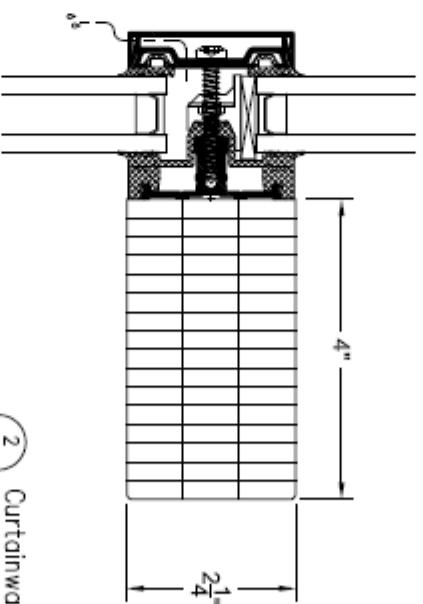
5 Curtainwall Vertical Mullion



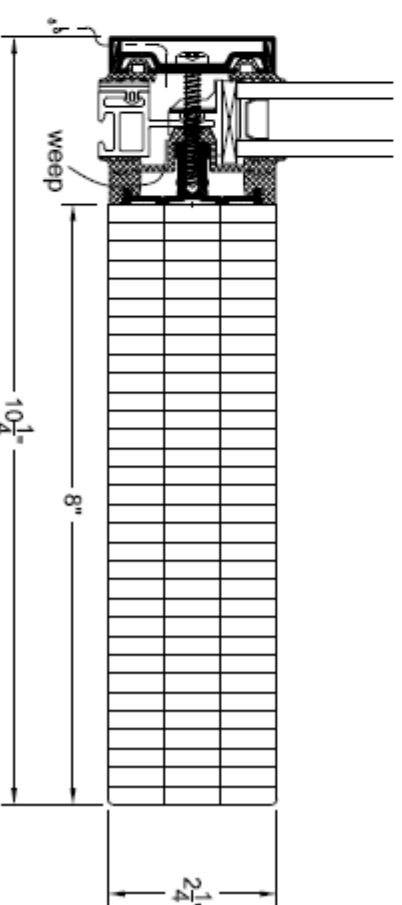
4 Curtainwall Jamb Detail



1 Curtainwall Head Detail



2 Curtainwall Horizontal Mullion Detail



3 Curtainwall Sill Detail

DISCLAIMER:
ALL INFORMATION CONTAINED WITHIN THIS DOCUMENT IS SOLE PROPERTY OF LAMBOO TECHNOLOGIES, LLC. ANY REPRODUCTION IN PART OR AS A WHOLE WITHOUT THE WRITTEN PERMISSION OF LAMBOO TECHNOLOGIES, LLC IS STRICTLY PROHIBITED.

General Notes

TOLERANCES:

No.	Revision/Issue	Date

LAMBOO
311 W. EDWARDS STREET
LITCHFIELD, IL 62056
P: 866-966-2999
E: ADMIN@LAMBOO.US
W: WWW.LAMBOO.US

Ordering Name: **LAMBOO® VUE™**
CURTAIN WALL
DETAILS

Drawn By: JDH
Date: 01/01/2019
Scale: NTS

Sheet
1