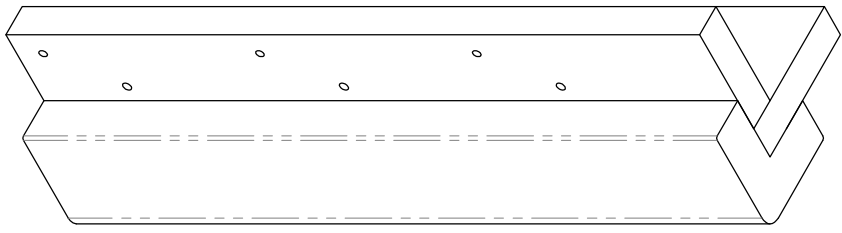
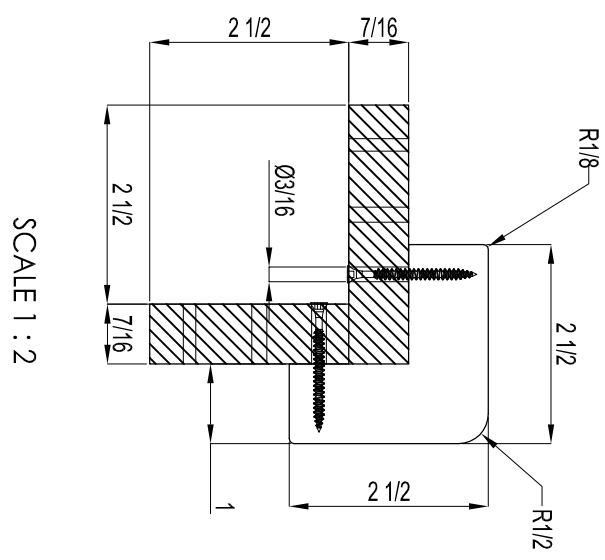
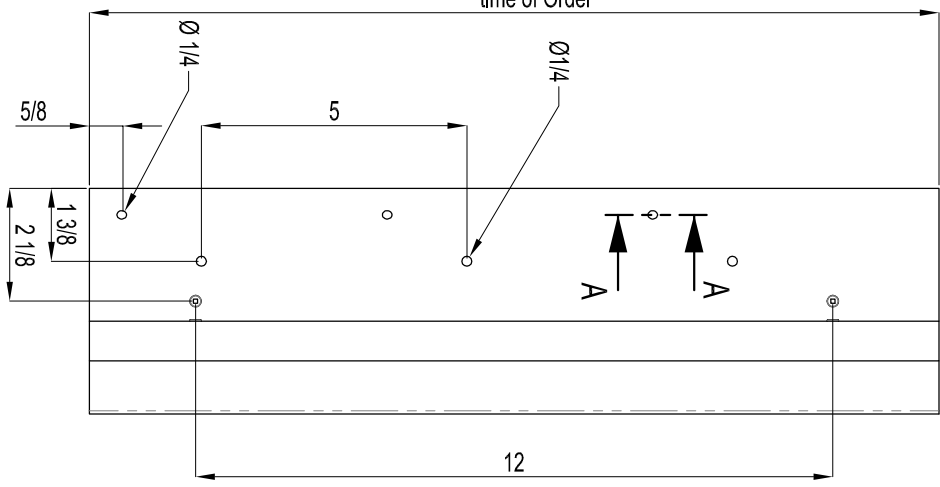


SECTION A-A



Length
Determined at
time of Order



SCALE 1 : 2

DISCLAIMER:
ALL INFORMATION CONTAINED WITHIN THIS DOCUMENT IS SOLE PROPERTY OF LAMBOO TECHNOLOGIES, LLC. ANY REPRODUCTION IN PART OR AS A WHOLE WITHOUT THE WRITTEN PERMISSION OF LAMBOO TECHNOLOGIES, LLC IS STRICTLY PROHIBITED.

General Notes
SEE DRAWINGS

TOLERANCES:

WIDTH:	+/- 1/16"
LENGTH:	+/- 1/16"
THICKNESS:	+/- 1/16"

No.	Revision/Issue	Date

LAMBOO®
311 W. EDWARDS STREET
LITCHFIELD, IL 62056
P: 866-966-2999
E: ADMIN@LAMBOO.US
W: WWW.LAMBOO.US

Project:
**LAMBOO ENGINEERED
OUTSIDE CORNER**

Project	Sheet
Date 09/01/2018	1
Scale NTS	