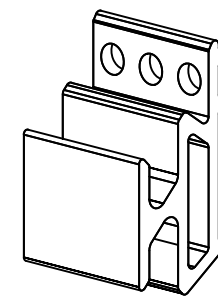
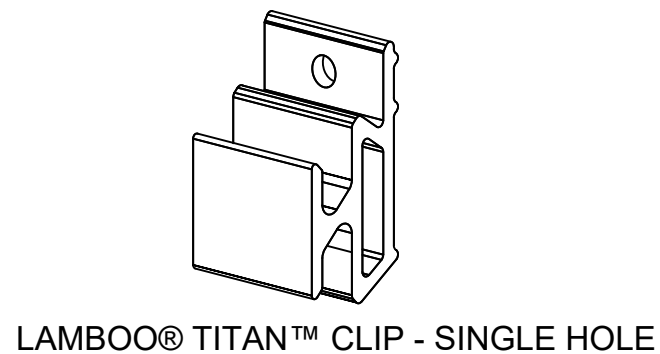
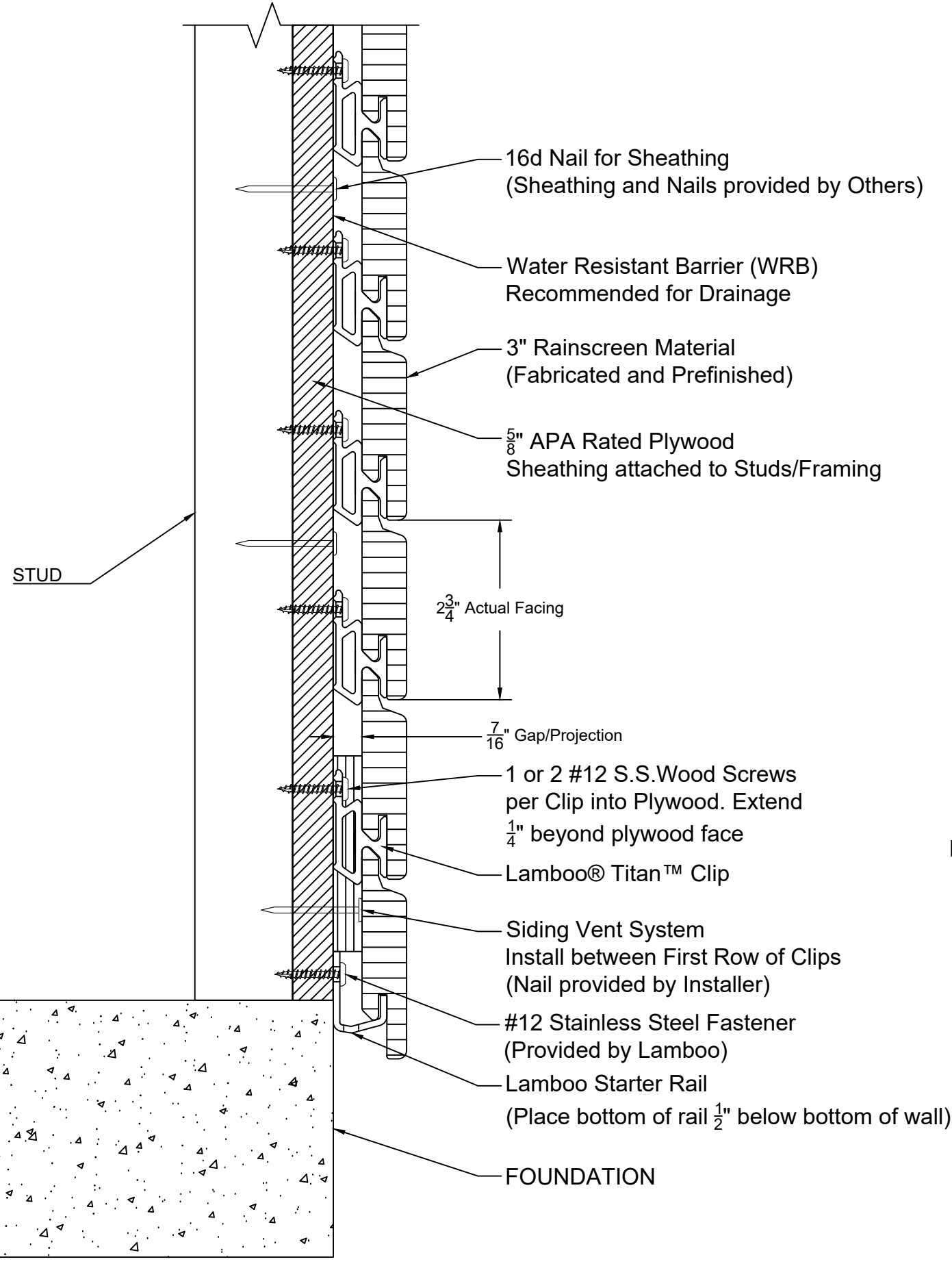


NO.	REVISION/ISSUE	DATE

NOTES:

- Before Installation, ensure system meets all requirements per local, state, and national building codes.
- Ensure wall is properly installed and wrapped with WRB prior to installing the Lamboo Rainscreen System.
- Installation instructions can be found on Lamboo's website under the Resources/Lamboo Resource Library/Exteriors
- Typical Clip Spacing for Single Hole Clips: 24" O.C.
- Typical Clip Spacing for 3-Hole Clips: 32" O.C.
- Rainscreen System can be provided to meet Florida Building Code - Lamboo's FBC#: FL35394



PRODUCT INFORMATION/TOLERANCES:

Typical Thickness: $\frac{11}{16}$ " to $\frac{3}{4}$ "

Typical Overall Width: 3-1/4"

Typical Lengths: 8'/16'

Interior/Exterior Grade: Yes

TOLERANCES:

Thickness: +/- $\frac{1}{16}$ "

Width: +/- $\frac{1}{16}$ "

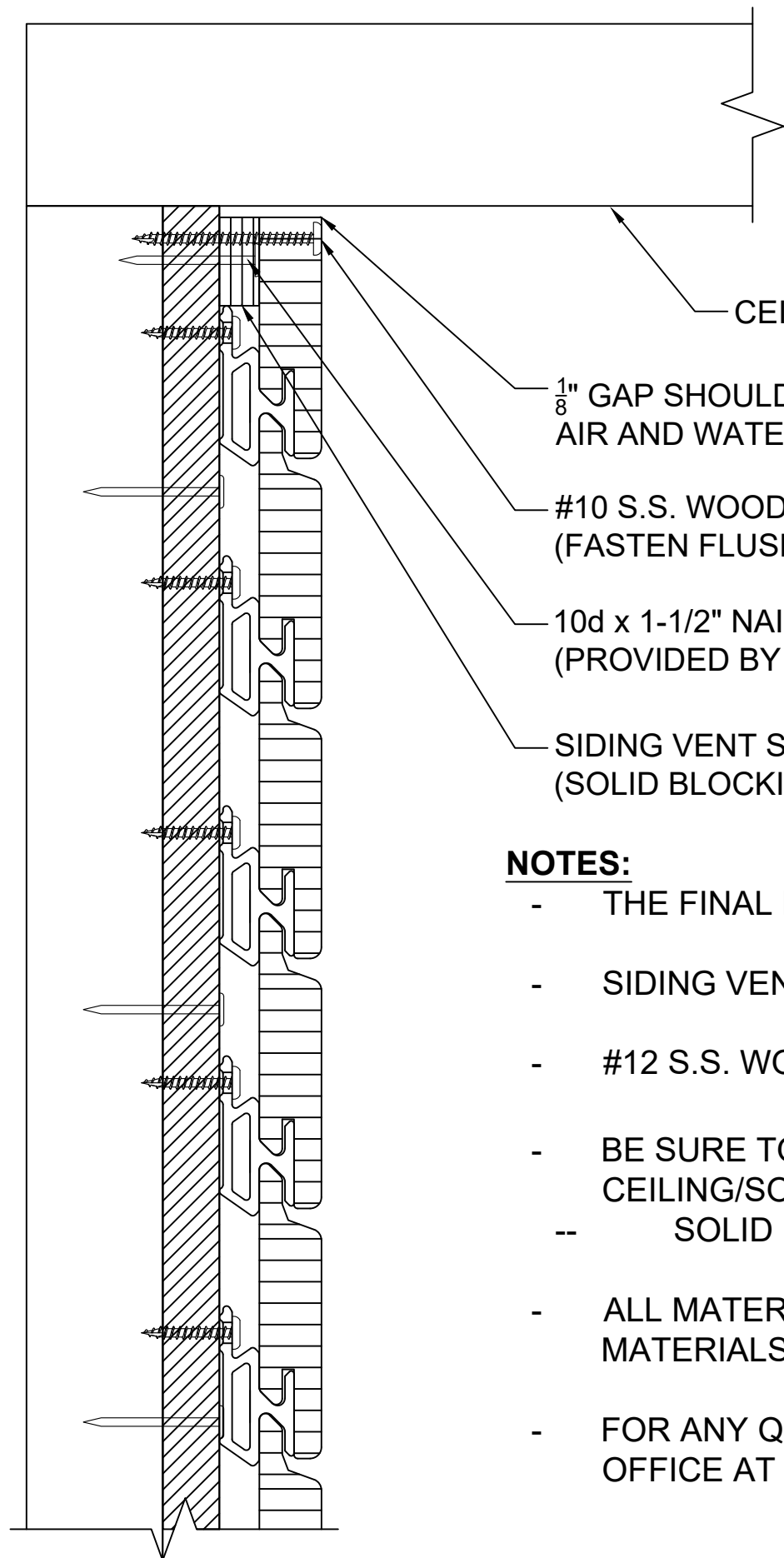
Length: - 1" /+ 2"

TITLE: 3" LAMBOO® RAINSCREEN SYSTEM
GENERAL DETAILS AND INFORMATION

DRAWN BY: JDH	SHEET
DATE: 02/01/2021	1
SCALE: NTS	



NO.	REVISION/ISSUE	DATE



CEILING/SOFFIT

1/8" GAP SHOULD BE LEFT AT TOP OF SYSTEM TO ALLOW FOR AIR AND WATER PASSAGE THROUGH THE SYSTEM

#10 S.S. WOOD SCREW X 2-1/2" LONG (FASTEN FLUSH TO FACE OF MATERIAL)

10d x 1-1/2" NAIL USED TO SECURE BLOCKING (PROVIDED BY OTHERS)

SIDING VENT SYSTEM TO BE USED AS BLOCKING AT TOP OF SYSTEM. (SOLID BLOCKING CAN BE USED, BUT NOT RECOMMENDED)

NOTES:

- THE FINAL PIECE INSTALLED WILL BE RIP-CUT IN ORDER TO FIT PROPERLY.
- SIDING VENT SYSTEM CAN BE USED AS BLOCKING TO SUPPORT THE LAST PIECE FLUSH TO THE SYSTEM.
- #12 S.S. WOOD SCREW AT LEAST 2-1/2" IN LENGTH SHOULD BE USED TO SECURE TOP PIECE TO TOP OF WALL.
- BE SURE TO LEAVE AT LEAST AN 1/8" GAP FROM THE TOP OF THE RAINDRAIN SYSTEM TO THE BOTTOM OF THE CEILING/SOFFIT FOR PROPER VENTILATION OF THE SYSTEM.
- SOLID BLOCKING CAN BE USED, BUT IS NOT RECOMMENDED
- ALL MATERIALS THAT ARE CUT, DRILLED, OR ALTERED **MUST BE SEALED** PRIOR TO FINAL INSTALLATION. ANY MATERIALS NOT SEALED WILL VOID LAMBOO'S WARRANTY.
- FOR ANY QUESTIONS IN REGARDS TO THE LAMBOO® RAINDRAIN™ SYSTEM, PLEASE CONTACT THE CORPORATE OFFICE AT 866-966-2999 OR VIA EMAIL AT ADMIN@LAMBOO.US

TITLE: 3" LAMBOO® RAINDRAIN SYSTEM
GENERAL DETAILS AND INFORMATION

DRAWN BY: JDH
DATE: 02/01/2021
SCALE: NTS

SHEET
2

