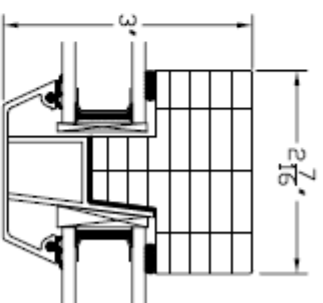
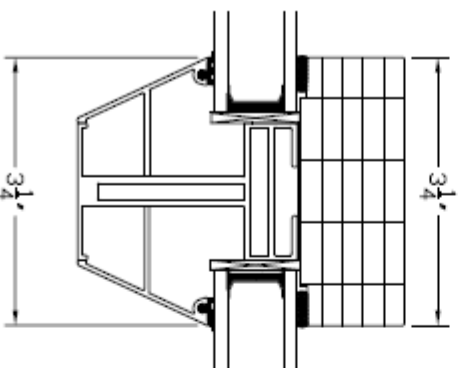


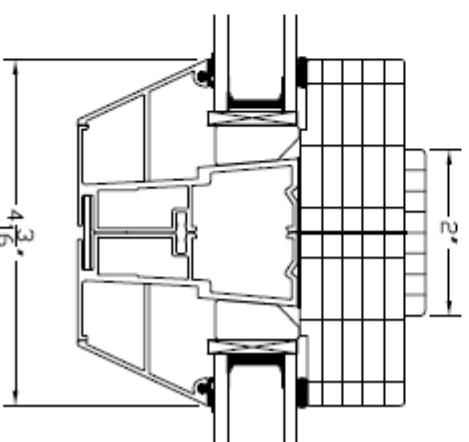
Storefront
Frame Detail



Storefront
2-7/16" Mullin Bar



Storefront
3-1/4" Mullion Detail



Storefront
Field Mullied Detail

DISCLAIMER:
ALL INFORMATION CONTAINED WITHIN THIS DOCUMENT IS SOLE PROPERTY OF LAMBOO TECHNOLOGIES, LLC. ANY REPRODUCTION IN PART OR AS A WHOLE WITHOUT THE WRITTEN PERMISSION OF LAMBOO TECHNOLOGIES, LLC IS STRICTLY PROHIBITED.

General Notes

TOLERANCES:

No.	Revision/Issue	Date

LAMBOO[®]

311 W. EDWARDS STREET
LITCHFIELD, IL 62056
P: 866-966-2999
E: ADMIN@LAMBOO.US
W: WWW.LAMBOO.US

Drawing Name: **LAMBOO[®] VUE[™]**

**STOREFRONT
DETAILS**

Drawn By:
JDH

Sheet

Date
01/01/2019

1

Scale
NTS