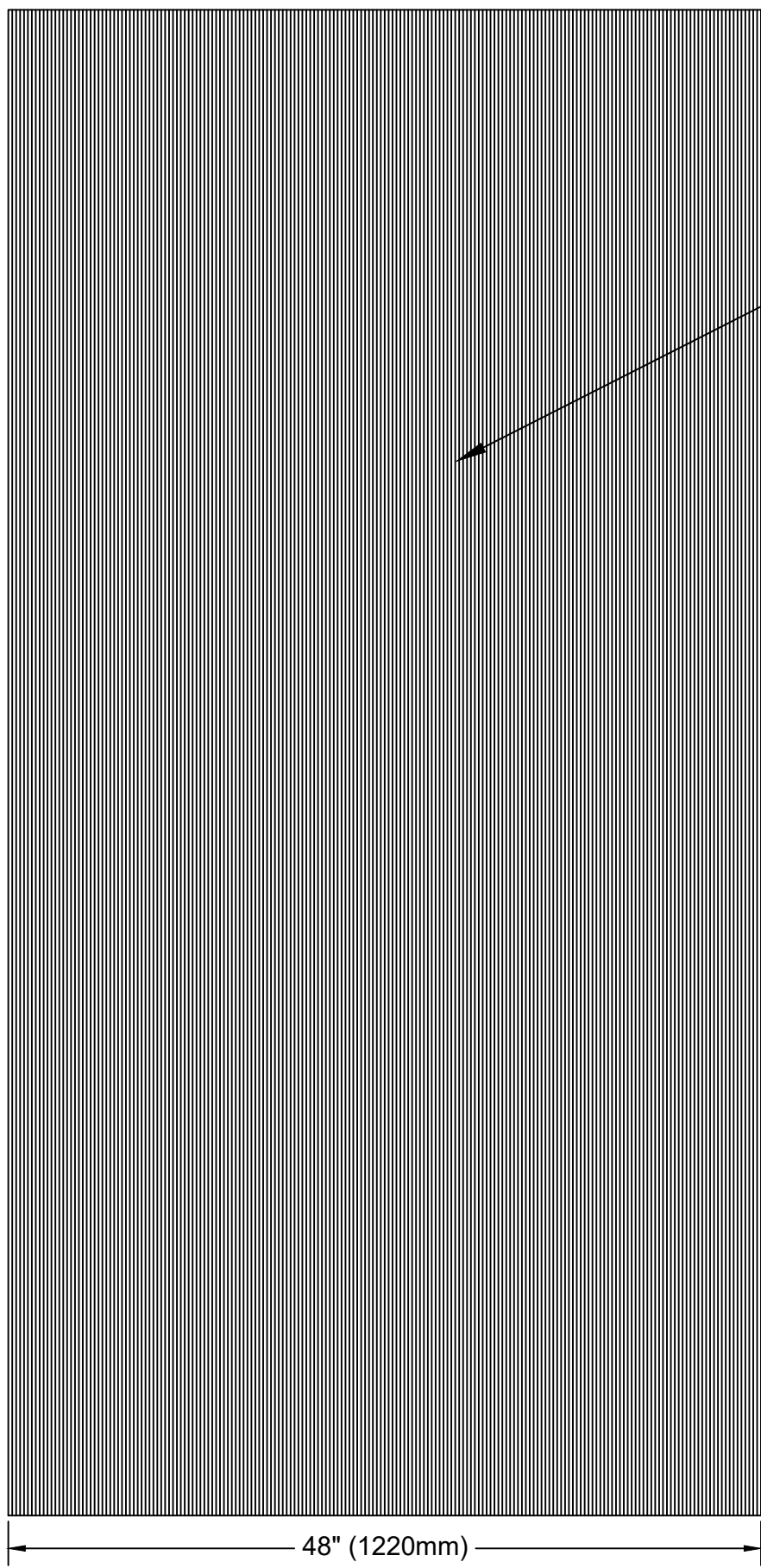


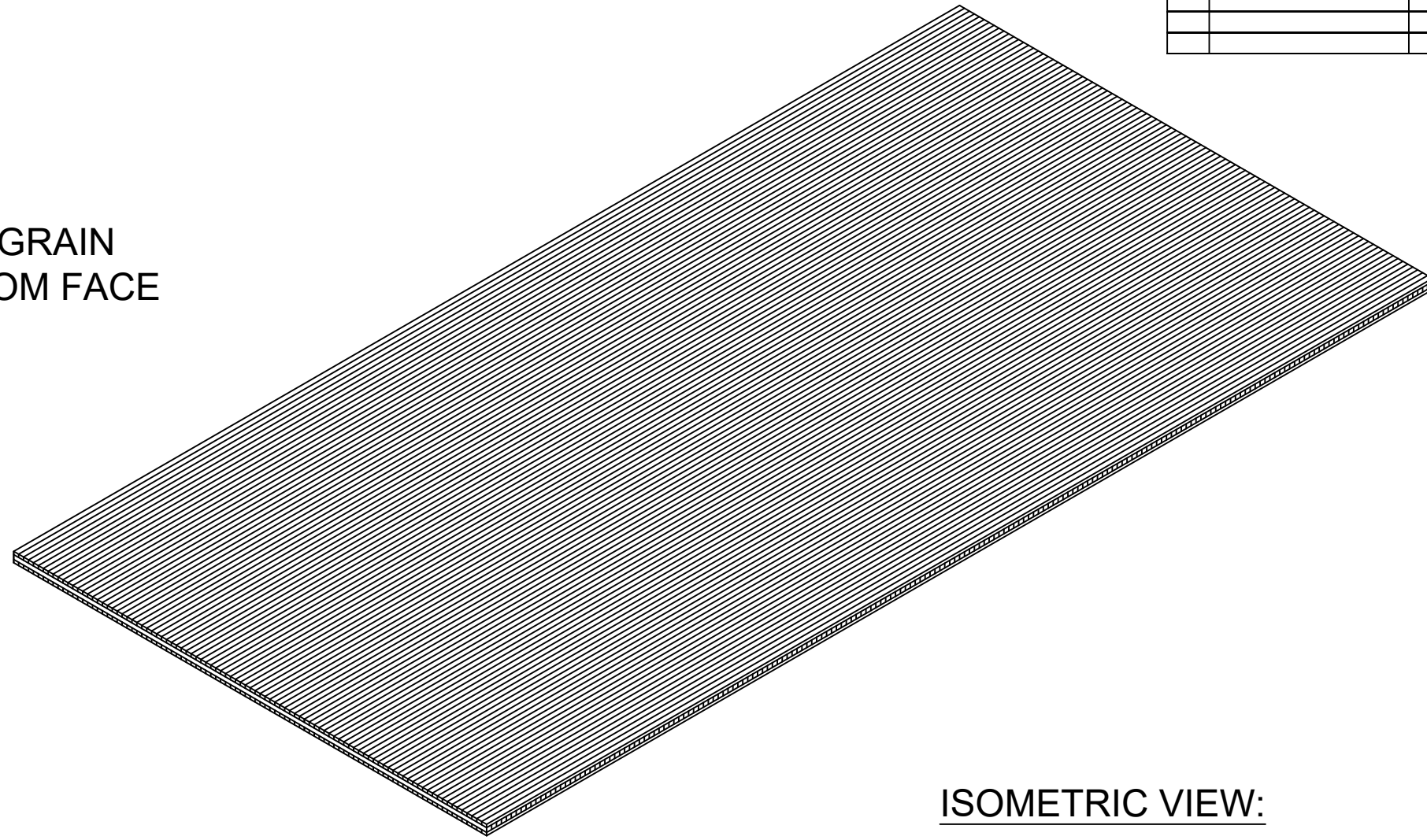
No.	REVISION/ISSUE	DATE



VERTICAL GRAIN  
TOP/BOTTOM FACE

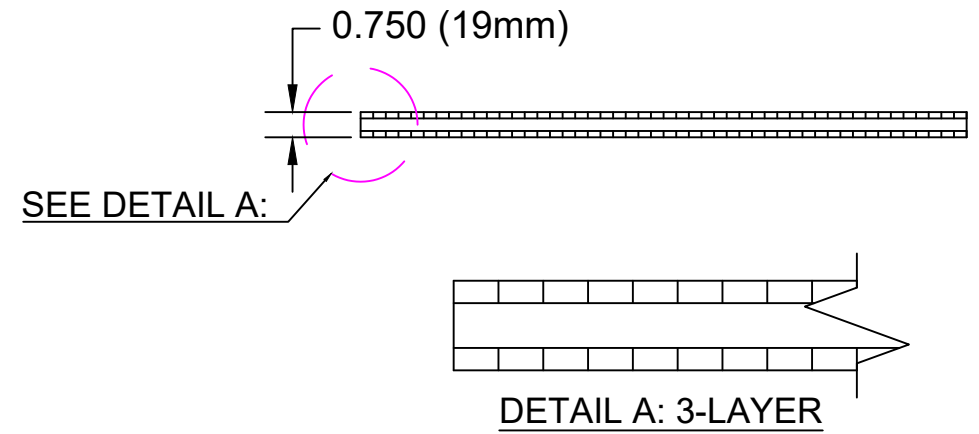
98.425" (2500mm)

48" (1220mm)



ISOMETRIC VIEW:

- NOTES:
- ALL UNITS IN INCHES UNLESS SPECIFIED
  - STOCK PANELS ARE UNFINISHED
  - SANDED SURFACE FINISH: 120 GRIT
  - EXTERIOR USE
  - BASE COLOR: CARBONIZED
  - CUSTOM SIZING AVAILABLE UPON REQUEST



BY SIGNING THIS DOCUMENT YOU THE CUSTOMER HAVE AGREED TO THE INFORMATION AS STATED IN THIS DOCUMENT. ANY CORRECTIONS REQUESTED AFTER DRAWINGS HAVE BEEN APPROVED WILL BE CHARGED BY LAMBOO ON AN HOURLY BASIS. SIGNATURE: \_\_\_\_\_

TITLE:  
**VCP-C(075)-EXT-4896**

DRAWN BY: <b>JDH</b>	SHEET <b>1</b>
DATE: 10/15/2019	
SCALE: NTS	