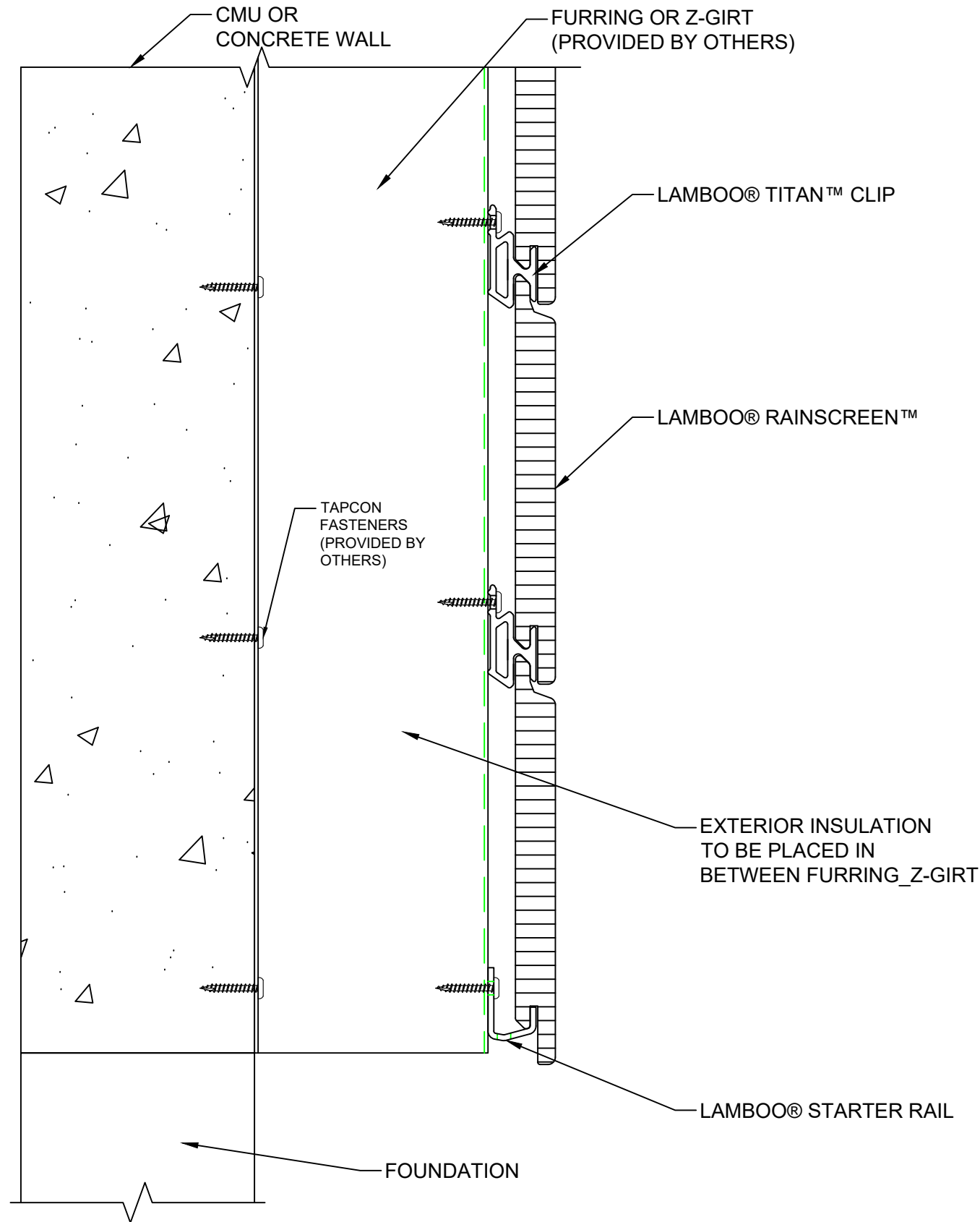


No.	REVISION/ISSUE	DATE



**NOTES:**

- FOR INSTALLATION ONTO CONCRETE OR CMU BLOCKING, A PRESSURE TREATED WOODEN FURRING STRIP OR Z-GIRT CAN BE USED. OTHER FORMS OF FURRING CAN BE USED AS WELL.
- ALL FURRING SHOULD BE INSTALLED PER LOCAL AND IBC CODE REQUIREMENTS.
- TYPICAL 24" O.C. SPACING
- ALL MATERIALS CUT, DRILLED, OR MODIFIED EXPOSING RAW MATERIAL SURFACE MUST BE SEALED WITH STAIN OR WOOD SEALANT
- FASTENERS FOR FURRING PROVIDED BY OTHERS
- EST. WEIGHT OF SYSTEM: 2.44 TO 2.55 LBS/SQFT.

BY SIGNING THIS DOCUMENT YOU THE CUSTOMER HAVE AGREED TO THE INFORMATION AS STATED IN THIS DOCUMENT. ANY CORRECTIONS REQUESTED AFTER DRAWINGS HAVE BEEN APPROVED WILL BE CHARGED BY LAMBOO ON AN HOURLY BASIS. SIGNATURE: \_\_\_\_\_

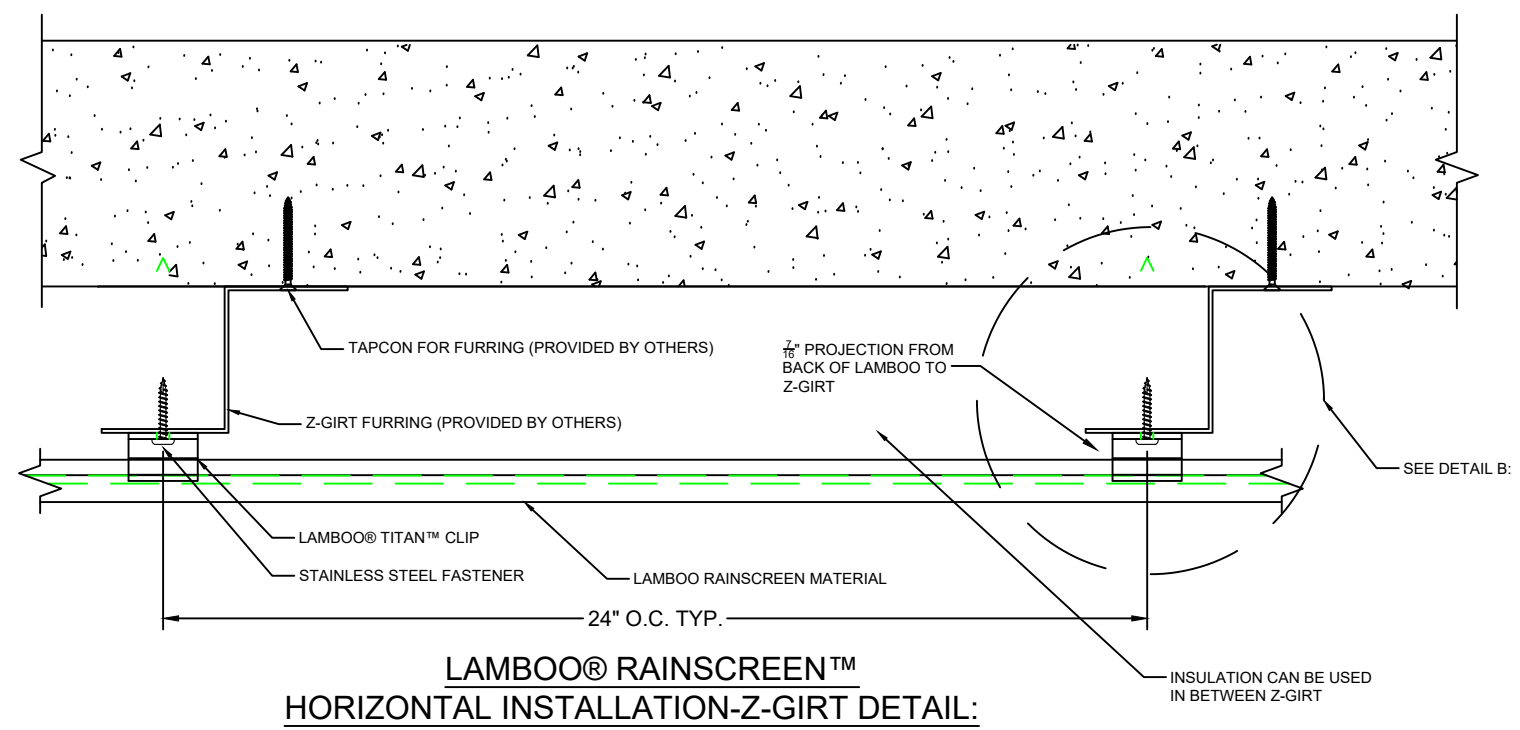
**TITLE: LAMBOO RAINSCREEN Z-GIRT ELEVATION**

DRAWN BY: JDH	<b>1</b>
DATE: 05/28/2020	
SCALE: NTS	

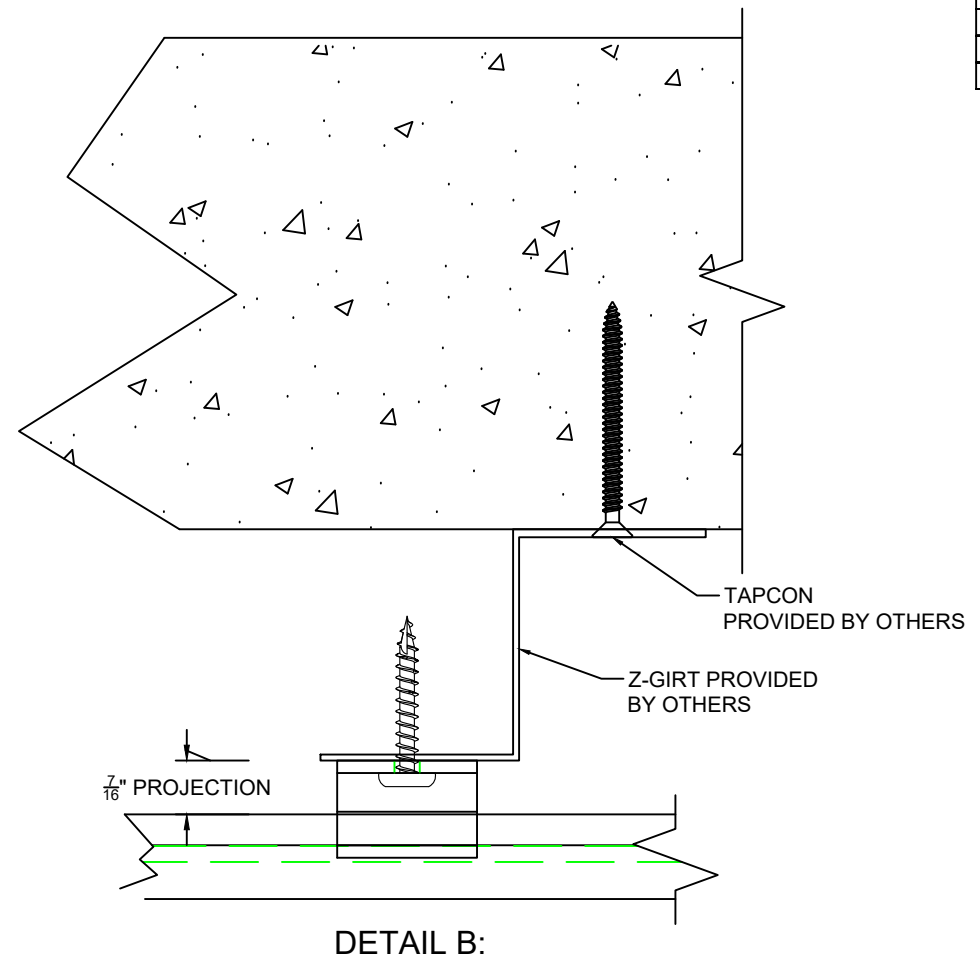


311 W. EDWARDS STREET/LITCHFIELD, IL 62056 P:866-966-2999 E:ADMIN@LAMBOO.US W: WWW.LAMBOO.US  
DISCLAIMER: ALL INFORMATION CONTAINED WITHIN THIS DOCUMENT IS SOLE PROPERTY OF LAMBOO TECHNOLOGIES, LLC. ANY REPRODUCTION IN PART OR AS A WHOLE WITHOUT THE WRITTEN PERMISSION OF LAMBOO TECHNOLOGIES, LLC IS STRICTLY PROHIBITED.

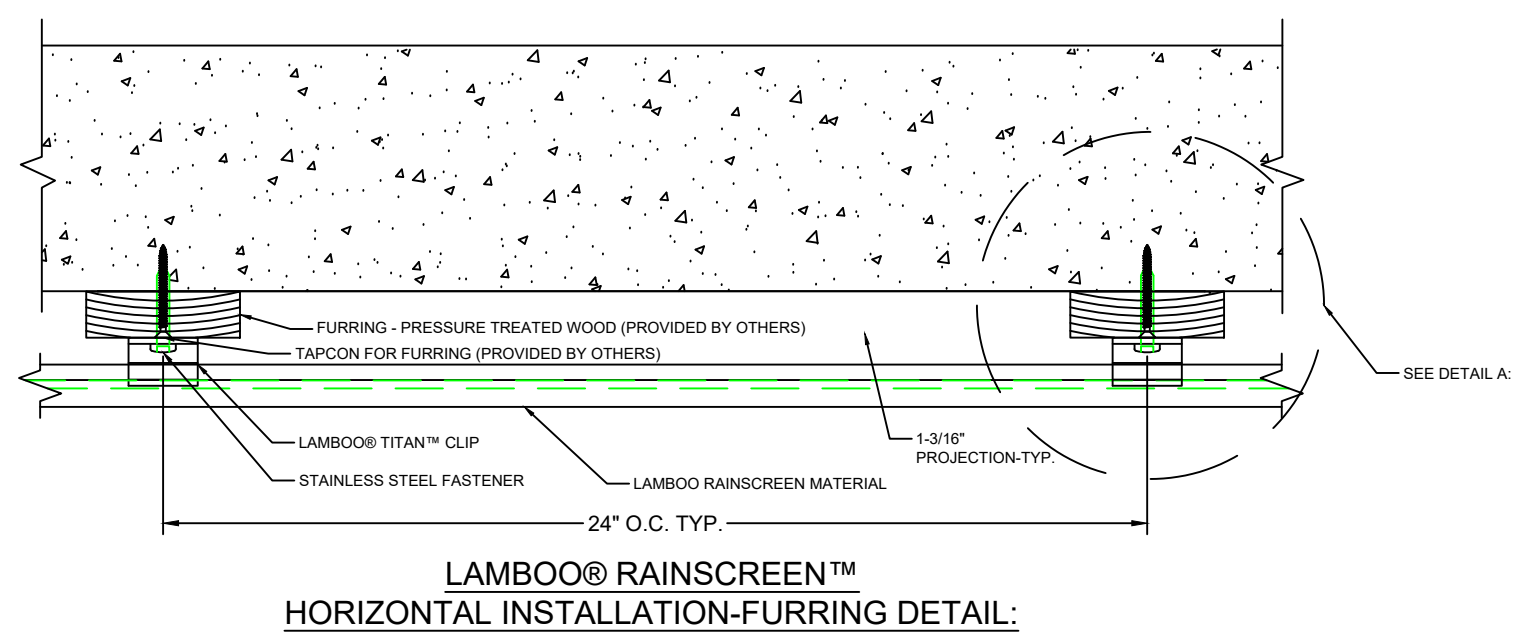
No.	REVISION/ISSUE	DATE



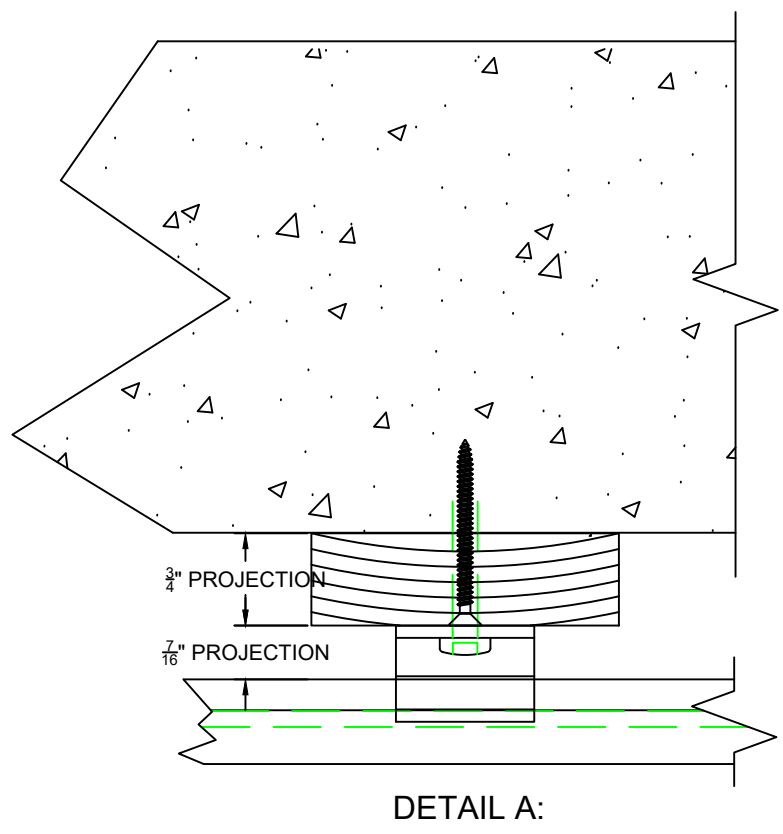
**LAMBOO® RAINSCREEN™  
HORIZONTAL INSTALLATION-Z-GIRT DETAIL:**



**DETAIL B:**



**LAMBOO® RAINSCREEN™  
HORIZONTAL INSTALLATION-FURRING DETAIL:**



**DETAIL A:**

BY SIGNING THIS DOCUMENT YOU THE CUSTOMER HAVE AGREED TO THE INFORMATION AS STATED IN THIS DOCUMENT. ANY CORRECTIONS REQUESTED AFTER DRAWINGS HAVE BEEN APPROVED WILL BE CHARGED BY LAMBOO ON AN HOURLY BASIS. SIGNATURE: \_\_\_\_\_

**TITLE: LAMBOO RAINSCREEN  
W/FURRING TYPES**

DRAWN BY: **JDH**  
DATE: **05/28/2020**  
SCALE: **NTS**

SHEET **2**