

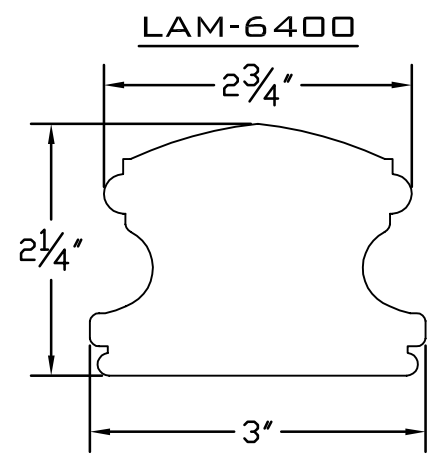
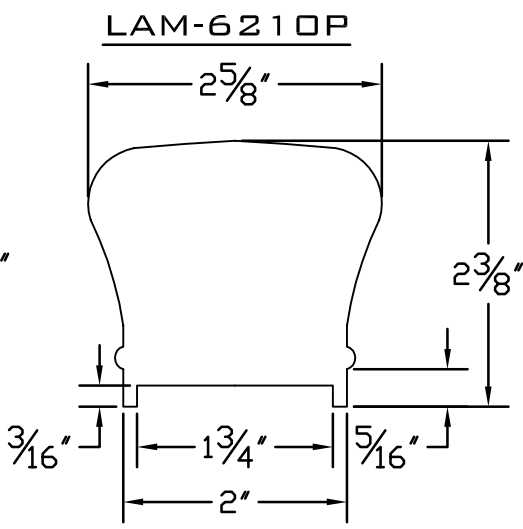
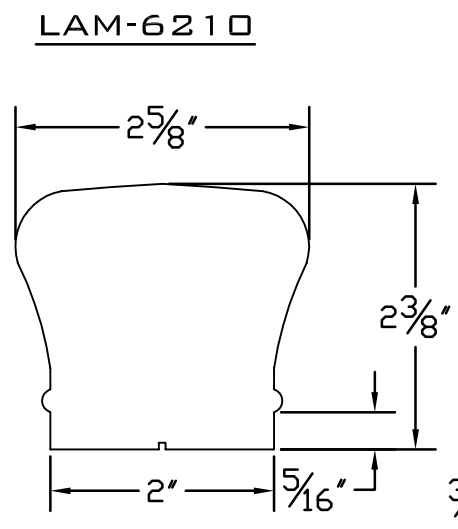
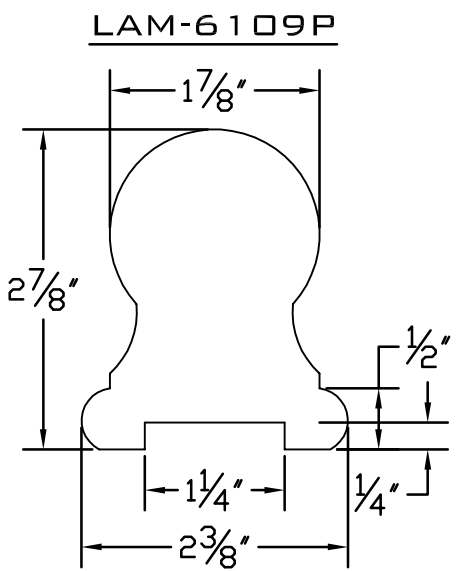
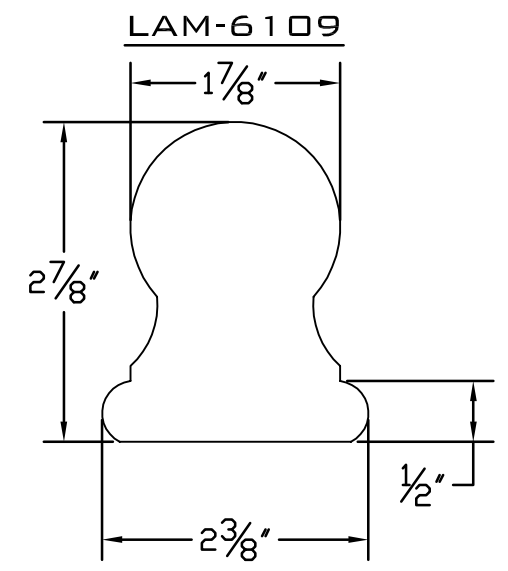
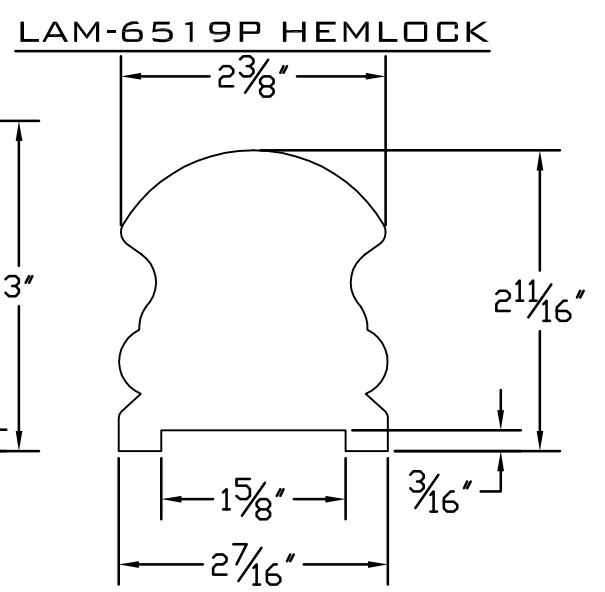
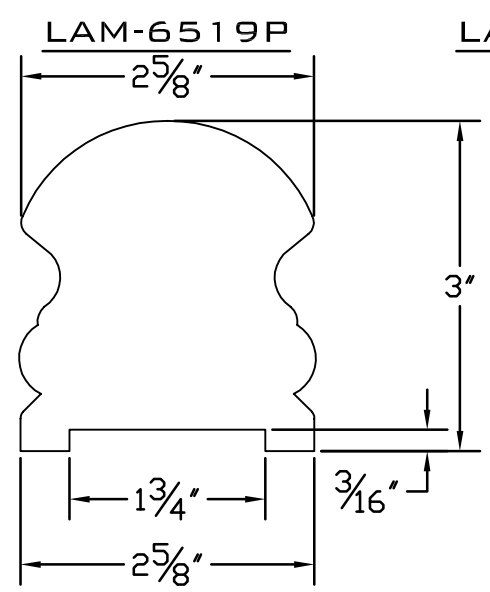
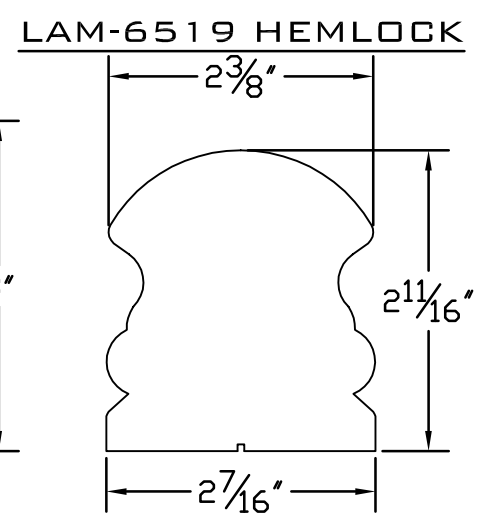
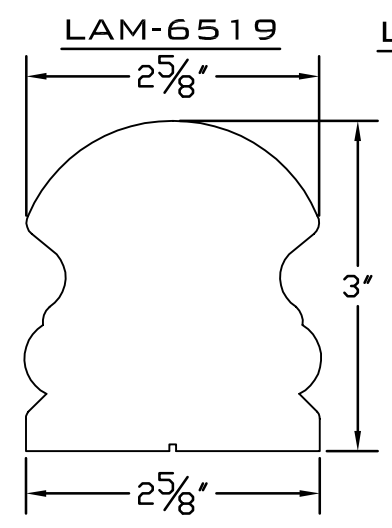
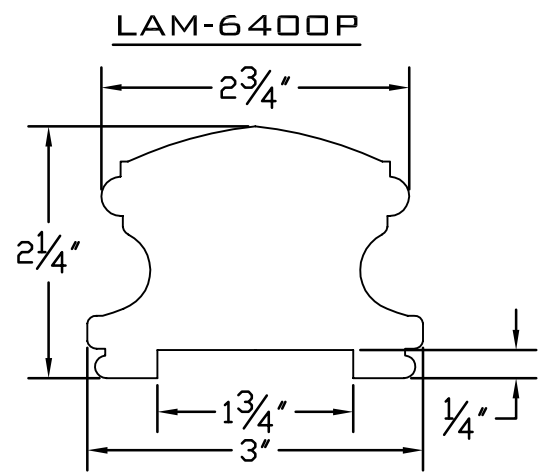
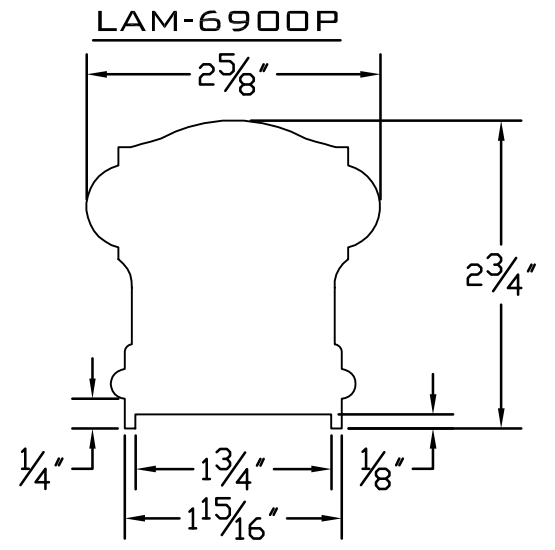
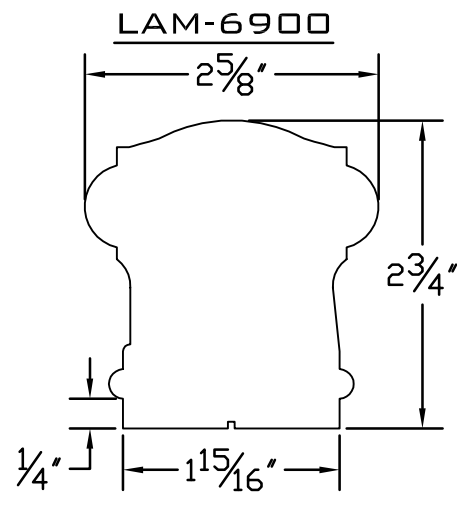
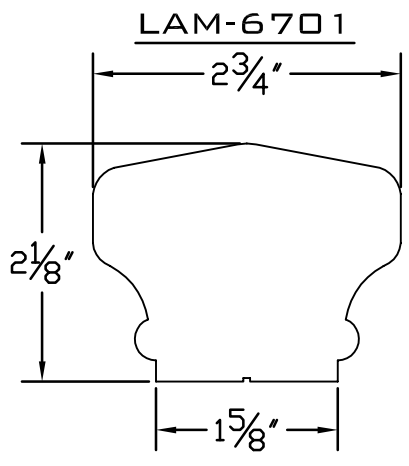
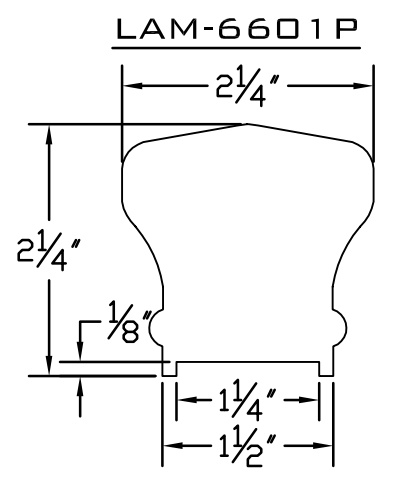
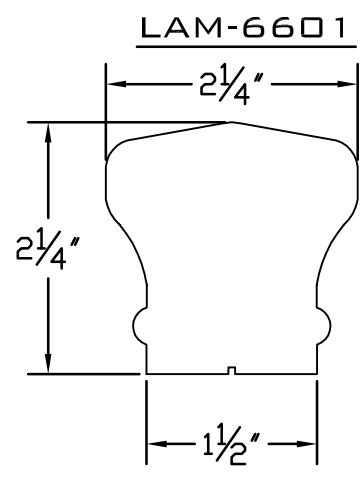
DISCLAIMER:
ALL INFORMATION CONTAINED WITHIN THIS DOCUMENT IS SOLE PROPERTY OF LAMBOO TECHNOLOGIES, LLC. ANY REPRODUCTION IN PART OR AS A WHOLE WITHOUT THE WRITTEN PERMISSION OF LAMBOO TECHNOLOGIES, LLC IS STRICTLY PROHIBITED.

General Notes		
TOLERANCES:		
No.	Revision/Issue	Date

LAMBOO
311 W. EDWARDS STREET
LITCHFIELD, IL 62056
P: 866-966-2999
E: ADMIN@LAMBOO.US
W: WWW.LAMBOO.US

Drawing Name: **LAMBOO® CONTOUR™ HANDRAIL PROFILES**

Drawn By: JDH	Sheet 1
Date 01/01/2019	
Scale NTS	



DISCLAIMER:
ALL INFORMATION CONTAINED WITHIN THIS DOCUMENT IS SOLE PROPERTY OF LAMBOO TECHNOLOGIES, LLC. ANY REPRODUCTION IN PART OR AS A WHOLE WITHOUT THE WRITTEN PERMISSION OF LAMBOO TECHNOLOGIES, LLC IS STRICTLY PROHIBITED.

General Notes		
TOLERANCES:		
No.	Revision/Issue	Date

LAMBOO
311 W. EDWARDS STREET
LITCHFIELD, IL 62056
P: 866-966-2999
E: ADMIN@LAMBOO.US
W: WWW.LAMBOO.US

Drawing Name: **LAMBOO® CONTOUR™ HANDRAIL PROFILES**

Drawn By: JDH	Sheet 2
Date 01/01/2019	
Scale NTS	