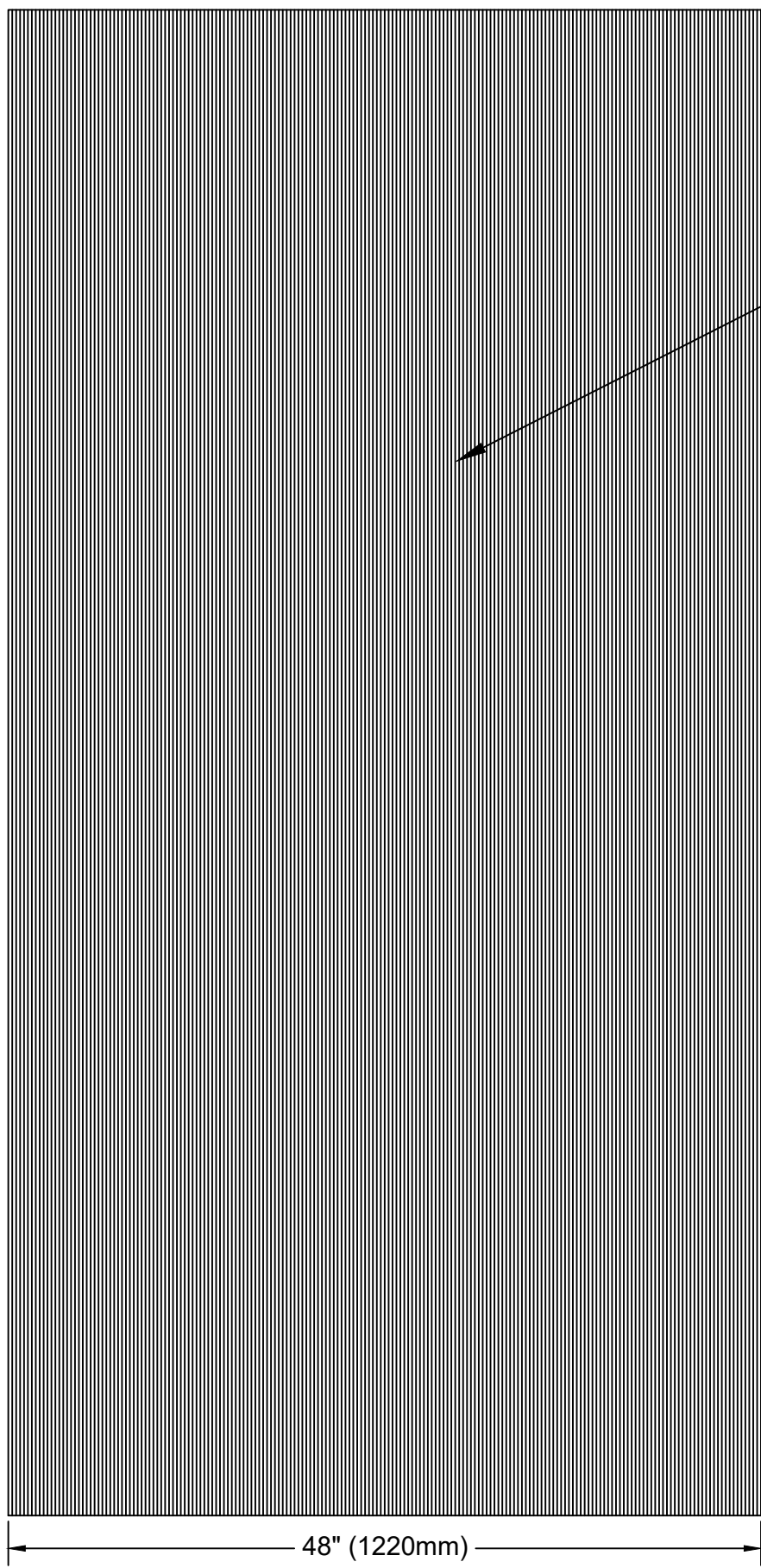


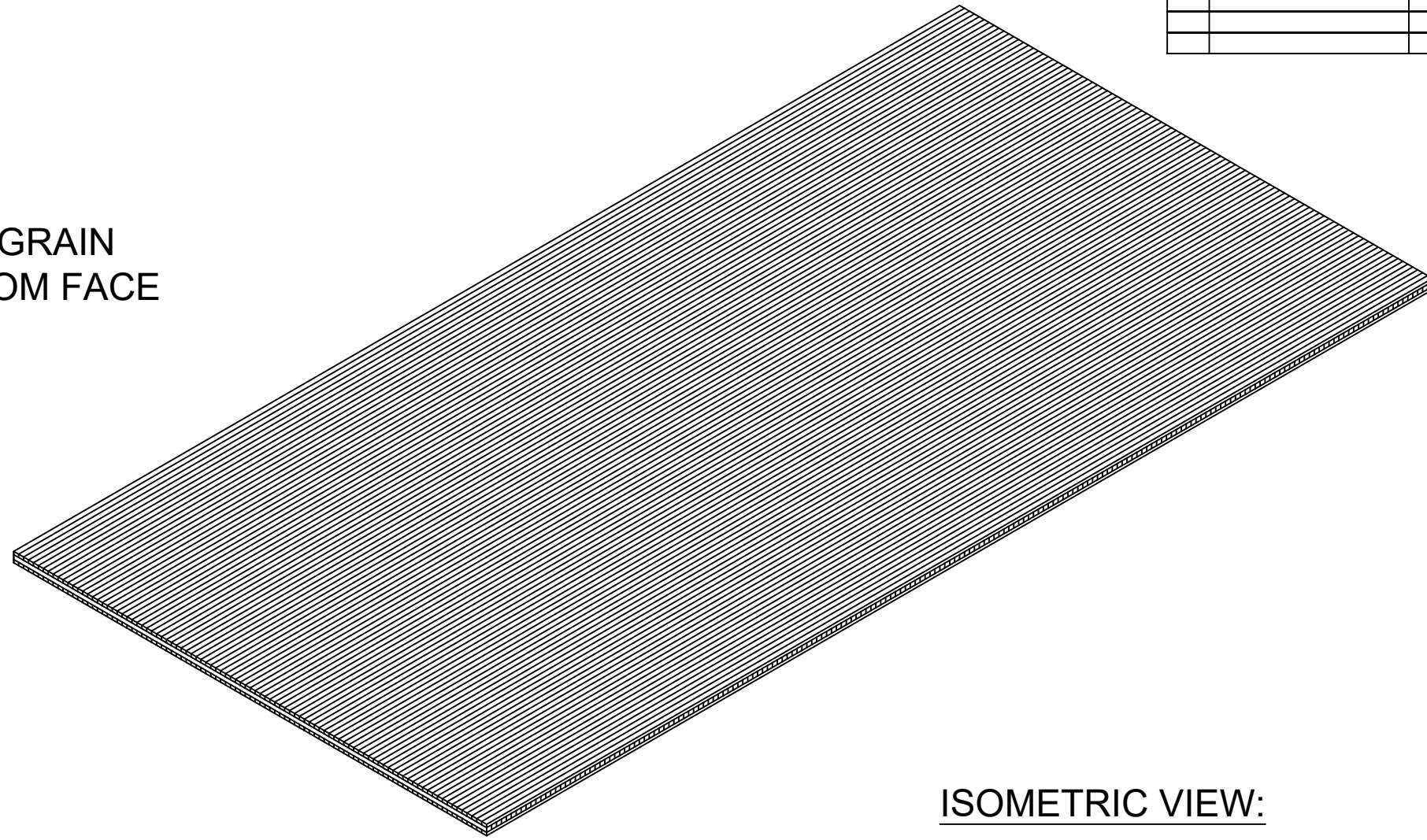
No.	REVISION/ISSUE	DATE



VERTICAL GRAIN
TOP/BOTTOM FACE

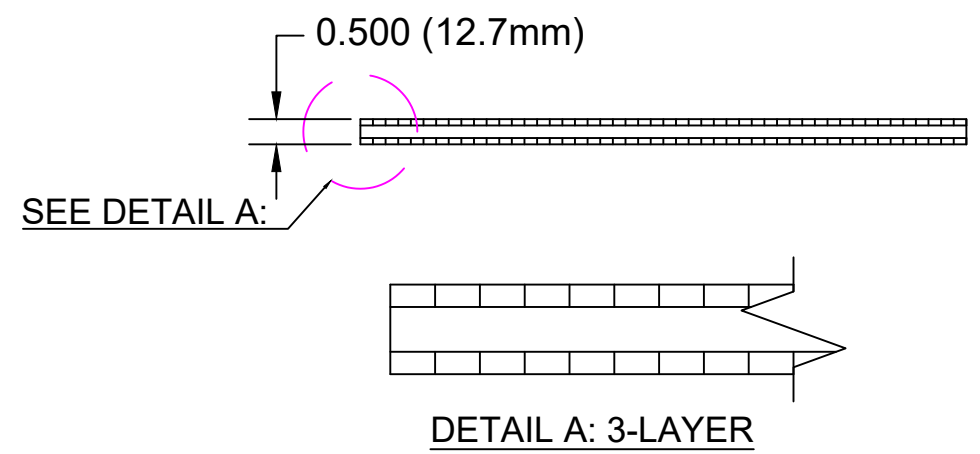
96" (2440mm)

48" (1220mm)



ISOMETRIC VIEW:

- NOTES:
- ALL UNITS IN INCHES UNLESS SPECIFIED
 - STOCK PANELS ARE UNFINISHED
 - UTILIZES NO ADDED UREA FORMALDEHYDE (NAUF) ADHESIVES
 - SANDED SURFACE FINISH: 120 GRIT
 - INTERIOR USE ONLY
 - BASE COLOR: NATURAL OR CARBONIZED
 - CUSTOM SIZING AVAILABLE UPON REQUEST



BY SIGNING THIS DOCUMENT YOU THE CUSTOMER HAVE AGREED TO THE INFORMATION AS STATED IN THIS DOCUMENT. ANY CORRECTIONS REQUESTED AFTER DRAWINGS HAVE BEEN APPROVED WILL BE CHARGED BY LAMBOO ON AN HOURLY BASIS. SIGNATURE: _____

TITLE:
VCP-C(050)-INT-4896

DRAWN BY: JDH	SHEET 1
DATE: 10/15/2019	
SCALE: NTS	



311 W. EDWARDS STREET/LITCHFIELD, IL 62056 P:866-966-2999 E:ADMIN@LAMBOO.US W: WWW.LAMBOO.US
DISCLAIMER: ALL INFORMATION CONTAINED WITHIN THIS DOCUMENT IS SOLE PROPERTY OF LAMBOO TECHNOLOGIES, LLC. ANY REPRODUCTION IN PART OR AS A WHOLE WITHOUT THE WRITTEN PERMISSION OF LAMBOO TECHNOLOGIES, LLC IS STRICTLY PROHIBITED.