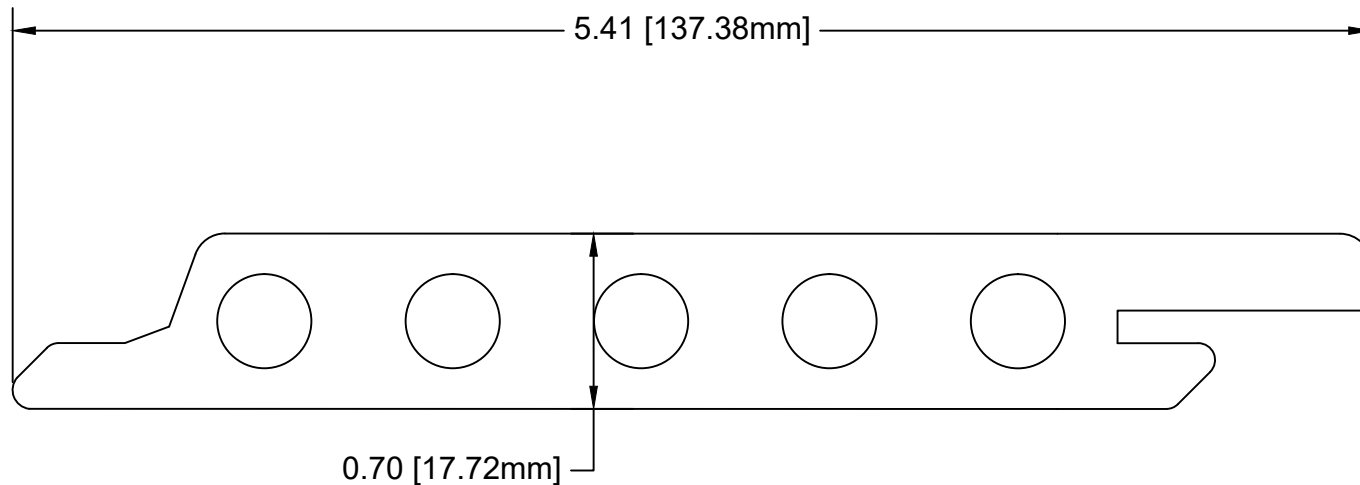


DISCLAIMER:  
 ALL INFORMATION CONTAINED WITHIN THIS DOCUMENT  
 IS SOLE PROPERTY OF LAMBOO TECHNOLOGIES, LLC.  
 ANY REPRODUCTION IN PART OR AS A WHOLE  
 WITHOUT THE WRITTEN PERMISSION OF LAMBOO  
 TECHNOLOGIES, LLC IS STRICTLY PROHIBITED.



# LAMBOOFUSION™ SERIES PRODUCT COMPOSITE RAINSCREEN

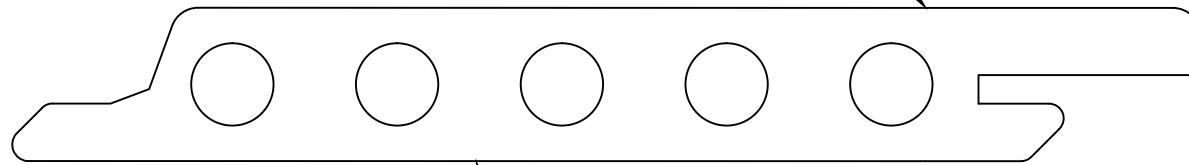
General Notes		
PRIMARY UNITS: INCHES (SECONDARY: mm)		
TOLERANCE UNLESS NOTED:		
X.X +/- .5mm		
X.XX +/- .1mm		
X.XXX +/- .01mm		
ANGULAR: +/- 1°		
No.	Revision/Issue	Date

**LAMBOO®**  
 311 W. EDWARDS STREET  
 LITCHFIELD, IL 62056  
 P: 866-966-2999  
 E: ADMIN@LAMBOO.US  
 W: WWW.LAMBOO.US

Project:  
 LAMBOO 5" RAINSCREEN  
 PROFILE-COMPOSITE

Project	N/A	Sheet	1
Date	02/15/2019		
Scale	NTS		

**TOP FACE: TO BE FINISHED  
WITH SCRAPED TEXTURE.**



**BACK OF PART:  
MACHINE FINISHED SMOOTH**

**LAMBOOFUSION™ SERIES PRODUCT  
COMPOSITE RAINSCREEN:  
SURFACE FINISHES**

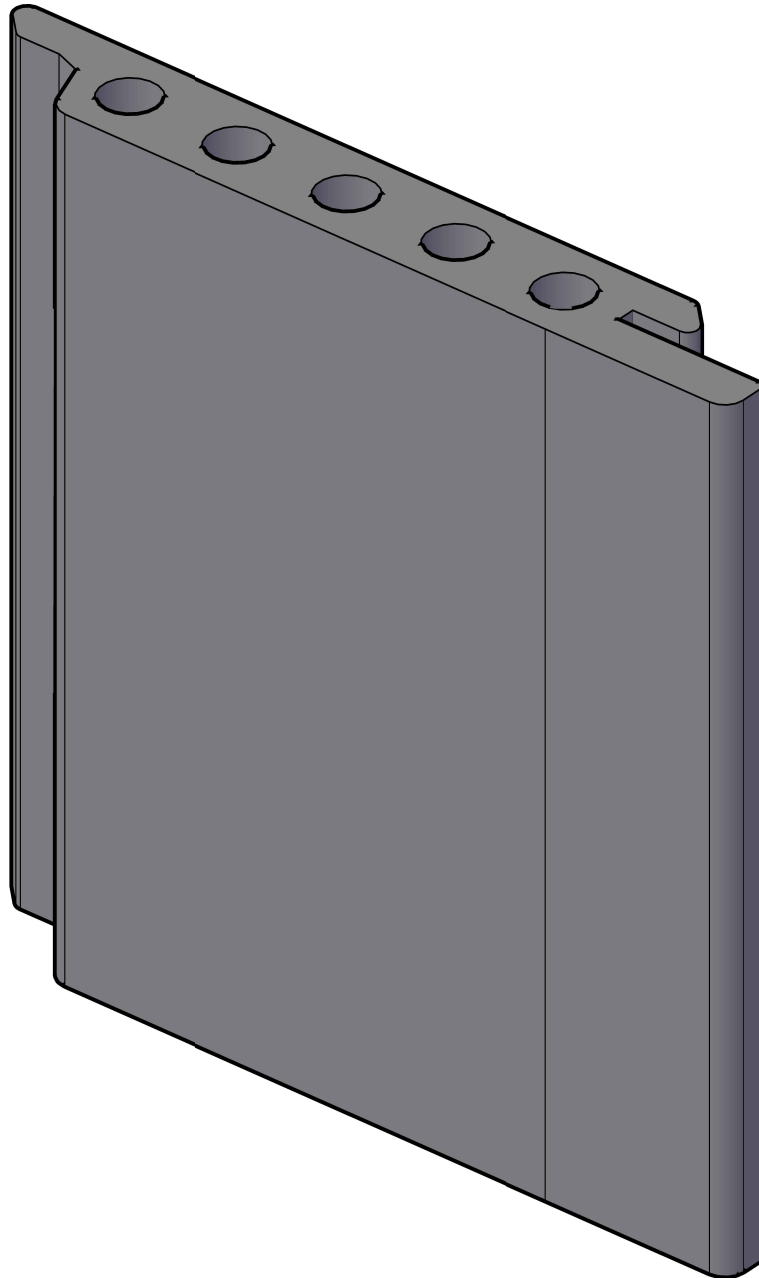
**DISCLAIMER:**  
ALL INFORMATION CONTAINED WITHIN THIS DOCUMENT IS SOLE PROPERTY OF LAMBOO TECHNOLOGIES, LLC. ANY REPRODUCTION IN PART OR AS A WHOLE WITHOUT THE WRITTEN PERMISSION OF LAMBOO TECHNOLOGIES, LLC IS STRICTLY PROHIBITED.

General Notes		
PRIMARY UNITS: INCHES (SECONDARY: mm)		
TOLERANCE UNLESS NOTED:		
X.X +/- .5mm		
X.XX +/- .1mm		
X.XXX +/- .01mm		
ANGULAR: +/- 1°		
No.	Revision/Issue	Date

**LAMBOO®**  
 311 W. EDWARDS STREET  
 LITCHFIELD, IL 62056  
 P: 866-966-2999  
 E: ADMIN@LAMBOO.US  
 W: WWW.LAMBOO.US

**Project:**  
 LAMBOO 5" RAINSCREEN  
 PROFILE-COMPOSITE

<b>Project</b>	N/A	<b>Sheet</b>  2
<b>Date</b>	02/15/2019	
<b>Scale</b>	NTS	



# LAMBOOFUSION™ SERIES PRODUCT COMPOSITE RAINSCREEN - 3D PERSPECTIVE

**DISCLAIMER:**  
ALL INFORMATION CONTAINED WITHIN THIS DOCUMENT IS SOLE PROPERTY OF LAMBOO TECHNOLOGIES, LLC. ANY REPRODUCTION IN PART OR AS A WHOLE WITHOUT THE WRITTEN PERMISSION OF LAMBOO TECHNOLOGIES, LLC IS STRICTLY PROHIBITED.

General Notes		
PRIMARY UNITS: INCHES (SECONDARY: mm)		
TOLERANCE UNLESS NOTED:		
X.X +/- .5mm		
X.XX +/- .1mm		
X.XXX +/- .01mm		
ANGULAR: +/- 1°		
No.	Revision/Issue	Date

**LAMBOO®**  
 311 W. EDWARDS STREET  
 LITCHFIELD, IL 62056  
 P: 866-966-2999  
 E: ADMIN@LAMBOO.US  
 W: WWW.LAMBOO.US

**Project:**  
 LAMBOO 5" RAINSCREEN  
 PROFILE-COMPOSITE

Project	N/A	Sheet  3
Date	02/15/2019	
Scale	NTS	